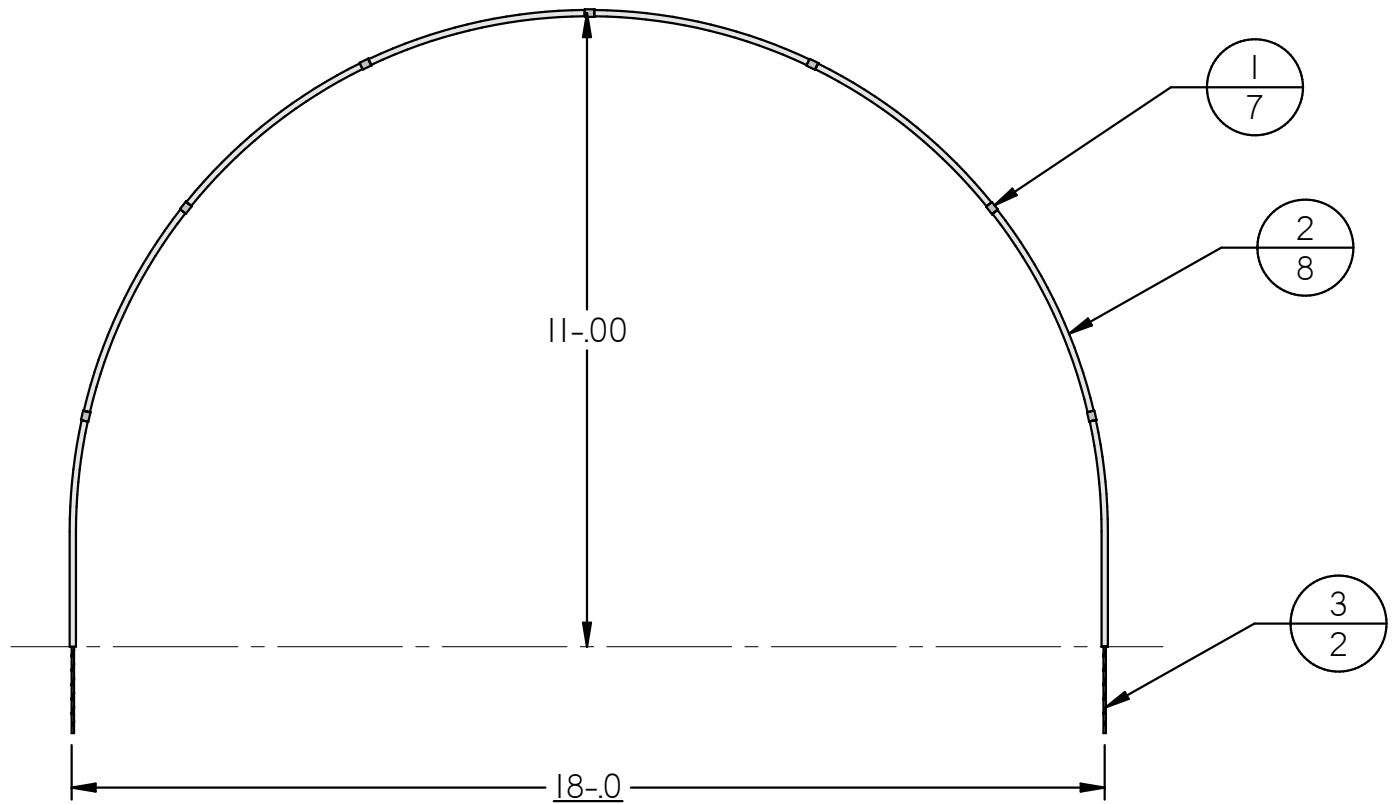


# Goaltimate Kit Plans - Albuquerque Ultimate Association



Item Number		Title	Material	Quantity
1*		PVC, COUPLING, 1" PIPE, SCHEDULE 40	PVC	7
2		1" PVC PIPE, CUT TO 48" PIECES	PVC	8
3		1/2" x 36" Steel rebar	STEEL	2